



# SF-110B Series

Impact Printer



## *A Trusted Printer that Supports Industry Compliance*

With a built-in real time clock and user management, the OHAUS SF-110B series Impact Printer ensures data integrity, and meets GLP/GMP requirements. An easy-to-read OLED display and advanced functions make the SF-110B ideal for use with all OHAUS balances and scales.

### *Unique Features:*

- A login password for each user fully prevents unauthorized changes to the printer settings such as date/time.
- The SF-110B provides users with full functionality from the most basic printing needs to the advanced applications, including statistics, totalization, formulation, averaging and interval printing.
- Additional information like Sample name/ID can be printed before each weighing that complements the report and improves data traceability.

# SF-110B Series Impact Printer

Model	SF-110B
Printing method	8 print solenoids impact dot matrix.
Printing unit	Dot matrix printer 5x7, 40-character line length
Printing speed	1.7 lines per second
Lifetime	1 million lines
Operation modes	Direct, Weighing, Multi Weighing, Statistic, Sum, Mean, Formulation, Loss Weight
Paper roll (W x Dia.)	Standard paper, 57.5 mm x Ø 50 mm max.
Ink ribbon cartridge	EPSON ERC-22 or ERC-09B
Display	128 x 64 dots, OLED display
Power Requirements	AC adapter Input: 100 – 240 VAC, 50 - 60 Hz AC adapter output: 12VDC, 2.0A
Interface	RS232C
Ambient temperature	0°C – 40°C
Printer Dimensions (W x D x H)	115.00 mm x 191.27 mm x 88.32 mm
Packaging dimensions (W x D x H)	177 mm x 235 mm x 169 mm
Net weight	580g (paper roll included)
Shipping Weight	1.5kg

## Compliance

- **Product Safety:** IEC/EN 62368-1
- **Electromagnetic Compatibility:** EN 55032; EN 55035, EN 61000-3-2, EN 61000-3-3
- **Compliance Marks:** CE, RCM, UKCA
- **Other:** WEEE, RoHS

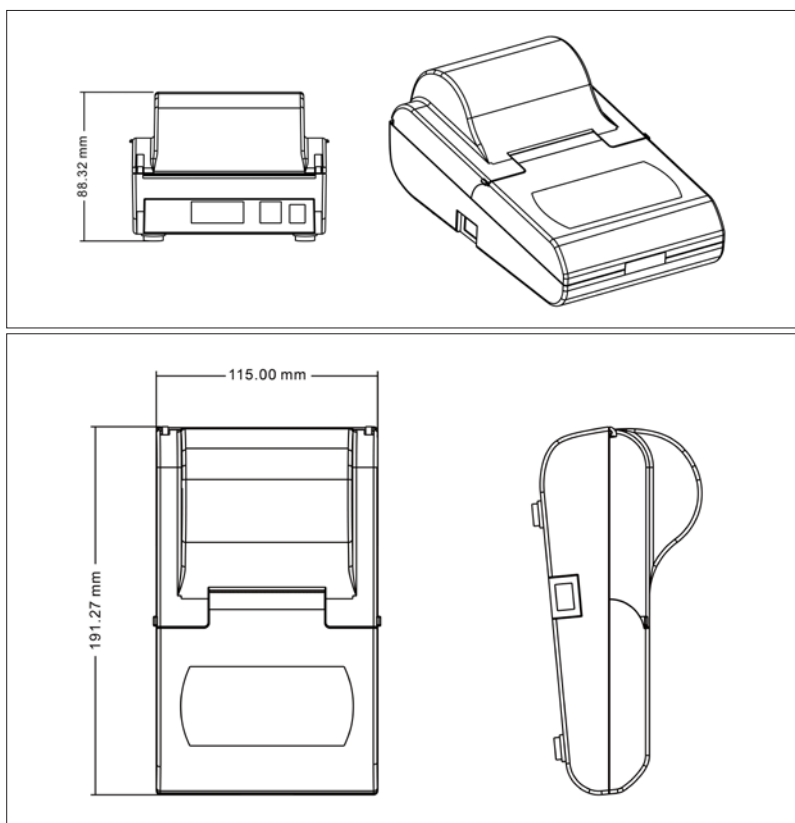
## Other Standard Features

High-speed dot matrix printing, 40 characters per line, auto tare operation directly from the printer, multi-user access control, editable header and trailer. Fully compatible with OHAUS weighing instruments. Multi-Language printing in DIRECT mode: English, Spanish, German, Italian, French, Chinese, Korean, Japanese, Polish, Portuguese, Hungarian, Turkish and Czech.

## Accessories

Paper Roll ..... 12120799  
 Ink Ribbon, Black..... 30529322

## Outline Dimensions



**OHAUS Europe GmbH**

Heuwinkelstrasse 3,  
 8606 Nänikon,  
 Switzerland

e-mail: [ssc@ohaus.com](mailto:ssc@ohaus.com)  
 Tel: 0041 22 567 53 19  
 e-mail: [tsc@ohaus.com](mailto:tsc@ohaus.com)  
 Tel: 0041 22 567 53 20

[www.ohaus.com](http://www.ohaus.com)

*The management system governing the manufacture of this product is ISO 9001:2015 certified.*

