

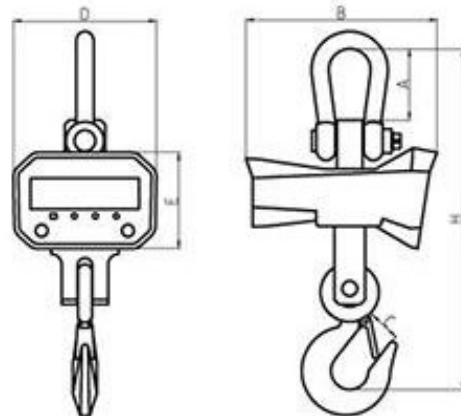


OCS-SL SERIES

Medium Duty Hanging Scale

Features

- IP54 rated
- Powder coated die cast aluminium housing
- Fixed hook
- Selectable weighing units
- 30mm LED display
- Full range tare
- Remote control



Specifications

MODEL	CAPACITY kg	DIVISION kg	OVERALL HEIGHT mm	WEIGHT kg
OCS-SL-1500	1500	0.5	430	12
OCS-SL-3000	3000	1	455	12
OCS-SL-5000	5000	2	535	18