



The Next Generation of Portable Balances for your Classroom

Designed for education applications, the OHAUS Scout with large backlit LCD backed by education software is the ideal balance for your classroom. It is built to endure demanding classroom applications with superior overload protection. Features including, faster stabilization time, increased capacity, multiple connectivity options and stackable design make Scout the best weighing experience for the next generation classroom.

Standard Features Include:

- **Superior Overload Protection & Practical Stackable Design for Convenient Storage**
Integrated superior overload protection system rated at 10x capacity protects the balance in demanding classroom environments. Space-saving design allows for stackable storage (excluding 1mg model).
- **Improved Functionality with Bright Backlit LCD and 4 Button Operation**
Combined with a simplified 4 button operation, the Scout's large backlit display increases readability in dim lighting conditions, and makes it easier to view results from across a desk or lab bench.
- **Multiple Connectivity Options Available for Data Logging and Communication**
With expanded connectivity options including RS232, USB Host, USB Device, Ethernet and Bluetooth[®], the Scout provides added versatility to your data collection and transfer needs.
- **Geared for Classroom Use with Education Specific Software Applications**
With specific gravity software, density kit and weigh below hook, the Scout is uniquely designed for science classroom lessons. The Mole weighing mode allows students to check their Mole calculations.

Scout® Portable Balances

Scout can Handle Demanding Classroom Environments

The superior mechanical overload protection system of the Scout is comprised of a high-strength stainless steel pan and an impact-resistant plastic pan support. This enables the balance to safely withstand loads up to 10 times its rated capacity, and survive in demanding classroom environments where capacity may be frequently exceeded. Scout's unique stacking and storage cover allows the balance to be safely stored away when not in use. The integrated transportation lock protects the load cell from damage during stacking storage and transportation.



User-Friendly Experience Guaranteed with Backlit Display and 4-Button Operation

4 clearly marked buttons remove complexity, and guide you quickly and easily through balance setup, unit of measure changes, calibration and more. Poor lighting in the lab or classroom is not an issue with the Scout. The large, bright backlit LCD display improves readability in conditions where lighting is poor, and makes it easy to see the weighing results from a distance.



Expanded Connectivity Options Allow for a More Modern Weighing Experience

Scout has multiple connectivity options—RS232, USB Host, USB Device, Ethernet and Bluetooth®*. With expanded connectivity options, the OHAUS Scout offers more versatility for convenient data logging, communication and remote functionality. Utilize the Bluetooth accessory to remotely control the balance from your mobile device or tablet for Android™**. Perform functions such as Zero, Tare, Print, Power Off and more. With the USB Host option, you can simply save and transfer data from the balance to a USB drive.



Backed by Education Specific Software

It's all about accuracy and efficiency with the OHAUS Scout balance. Stabilization time as fast as 1 sec combined with high resolution deliver extremely precise and repeatable weighing results that you can count on time and time again. This makes the Scout ideal for routine experiments and other weighing applications in your classroom.



Draftshield Model Available

Scout's ingenious draftshield (1mg model only) was designed with an easy to remove top cover piece. This serves as a wind protection ring which keeps the weighing surface stable in rough environments, while maintaining weighing speed.



* The Bluetooth word mark and logos are registered trademarks owned by Bluetooth SIG, Inc. and any use of such marks by OHAUS is under license.

** Android is a trademark of Google Inc.



Stackable Design
Space-saving design allows for stackable storage (excludes mg models).



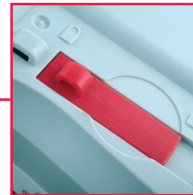
Connectivity
Expanded connectivity options including RS232, USB Host, USB Device, Ethernet and Bluetooth®



Weigh Below Hook
The integral weigh below hook on the bottom of the Scout allows for density determination or specific gravity calculations



Security Slot
Integrated security slot prevents theft



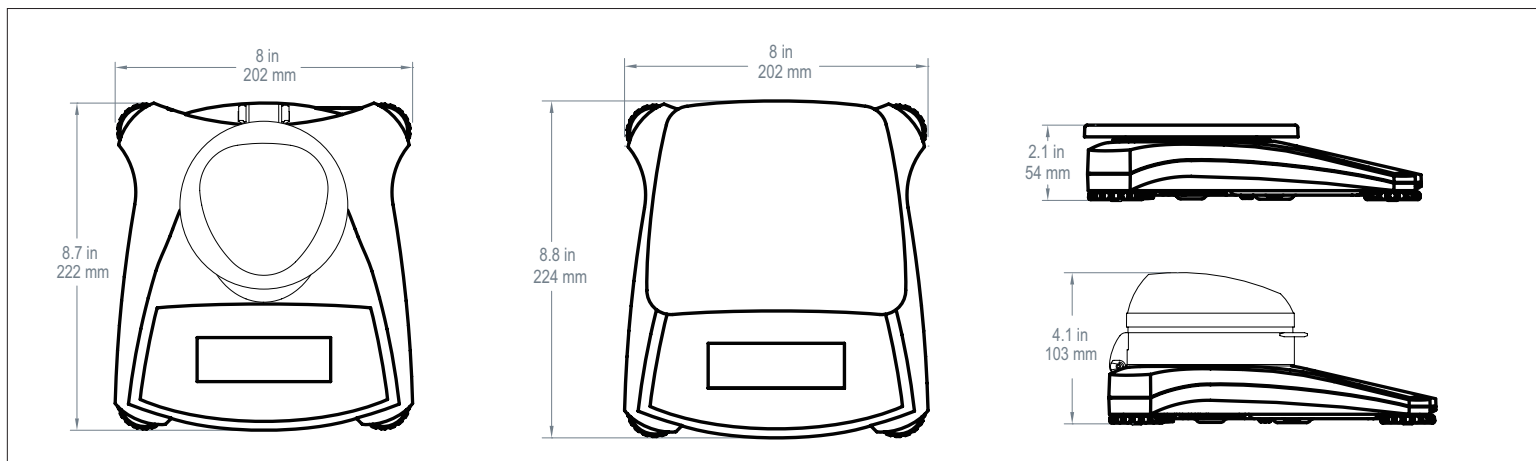
Lockswitch
The Scout can be locked into a specific configuration using the lockswitch

Large Backlit LCD Display
High contrast LCD Display displays weight and application data clearly, even in poor lighting conditions

Capacity & Readability by Weighing Unit

Model	SKX123	SKX222	SKX422	SKX622	SKX1202	SKX2202	SKX421	SKX621	SKX2201	SKX6201	SKX8200
Gram (g)	120 × 0.001	220 × 0.01	420 × 0.01	620 × 0.01	1200 × 0.01	2200 × 0.01	420 × 0.1	620 × 0.1	2200 × 0.1	6200 × 0.1	8200 × 1
Kilogram (kg)	/	/	/	/	1.2 × 0.00001	2.2 × 0.00001	/	/	2.2 × 0.0001	6.2 × 0.0001	8.2 × 0.001
Newton (N)	1.17679 × 0.00001	2.1574 × 0.0001	4.1188 × 0.0001	6.0801 × 0.0001	11.7679 × 0.0001	21.5744 × 0.0001	4.119 × 0.001	6.080 × 0.001	21.574 × 0.001	60.801 × 0.001	80.41 × 0.01
Ounce (oz)	4.23290 × 0.00005	7.7600 × 0.0005	14.8150 × 0.0005	21.8700 × 0.0005	42.3290 × 0.0005	77.6030 × 0.0005	14.815 × 0.005	21.870 × 0.005	77.600 × 0.005	218.700 × 0.005	289.25 × 0.05
Pound (lb)	/	/	/	1.36690 × 0.00005	2.64555 × 0.00005	4.85020 × 0.00005	/	1.3670 × 0.0005	4.8500 × 0.0005	13.6685 × 0.0005	18.080 × 0.005
Pound:Ounce (lb:oz)	/	/	/	1lb:5.8700oz × 0.0005oz	2lb:10.3290oz × 0.0005oz	4lb:13.6030oz × 0.0005oz	/	1lb:5.8700oz × 0.005oz	4lb:13.600oz × 0.005oz	13lb:10.700oz × 0.005oz	18lb:1.25oz × 0.05oz

Outline Dimensions



Scout® Portable Balances

Model	SKX123	SKX222	SKX422	SKX622	SKX1202	SKX2202	SKX421	SKX621	SKX2201	SKX6201	SKX8200
Capacity (g)	120	220	420	620	1200	2200	420	620	2200	6200	8200
Readability (g)	0.001	0.01	0.01	0.01	0.01	0.01	0.1	0.1	0.1	0.1	1
Repeatability (Std. Dev.) (g)	0.002	0.01	0.01	0.01	0.02	0.02	0.1	0.1	0.1	0.1	1
Linearity (g)	0.003	0.01	0.01	0.02	0.03	0.03	0.1	0.1	0.1	0.2	1
Span Calibration Mass*	100 g	200 g	200 g	300 g	1 kg	2 kg	200 g	300 g	2 kg	5 kg	8 kg
Linearity Calibration Mass*	50,100 g	100, 200 g	200, 400 g	300, 600 g	500g, 1 kg	1 kg, 2 kg	200, 400 g	300, 600 g	1 kg, 2 kg	3 kg, 6 kg	4 kg, 8 kg
Stabilization Time (s)	1.5	1	1	1	1.5	1.5	1	1	1	1	1
Construction	ABS housing & stainless steel pan										
Draftshield	Yes	No									
Calibration	User-selectable external span or linearity calibration/Digital with external weight										
Tare Range	Full capacity by subtraction										
Weighing Units	g, kg, N, oz, lb, lb:oz										
Application Modes	Weighing, Density Determination, Mole Weighing										
Power Requirement	AC adapter (included) or 4 AA batteries (not included)										
Typical Battery Life (Hours)	80	120	80				120			80	120
Communication	RS232, USB Host, USB Device, Ethernet or Bluetooth® (available as an accessory)										
Display Type	Liquid crystal display (LCD) with backlight										
Display Size	0.78 in/20 mm digits										
Overload Capacity	10 times the rated capacity										
Operating Temperature Range	10°C / 50°F to 40°C / 104°F at 10% to 80% relative humidity, non-condensing										
Storage Conditions	-20°C (-4°F) to 55°C (131°F) at 10% to 90% relative humidity, non-condensing										
Pan Size (W × D)	Ø3.7 in/ 93 mm	Ø4.7 in/ 120 mm		6.7 × 5.5 in/ 170 × 140 mm		Ø4.7 in/ 120 mm	6.7 × 5.5 in/ 170 × 140 mm				
Balance Dimensions (W × D × H)	8 × 8.7 × 4.1 in/ 202 × 222 × 103 mm		8 × 8.8 × 2.1 in/ 202 × 224 × 54 mm								
Shipping Dimensions (W × D × H)	11.8 × 9.8 × 5.1 in/300 × 250 × 129 mm										
Net Weight	2.2 lb/1 kg										
Shipping Weight	3.5 lb/1.6 kg										

* Calibration weights are included with models up to 620g capacity.

Other Standard Features and Equipment

Transportation lock, stainless steel pan, menu & calibration lockout switch, mechanical and software overload/underload protection, stability indicator, auto tare, low battery indicator, auto shut-off, user selectable printing options, user-selectable communication settings

Compliance

- **Product Safety:** IEC/EN 61010-1; CAN/CSA C22.2 No. 61010-1; UL Std. No. 61010-1
- **Electromagnetic Compatibility:** IEC/EN 61326-1 Class B; FCC Part 15 Class B; Industry Canada ICES-003 Class B

Accessories

RS232 Interface Kit30268982
USB Host Interface Kit30268983
USB Device Interface Kit30268984
Bluetooth Interface Kit30268985
Ethernet Interface Kit30268986
Stacking & Storage Cover (6 pcs)30268987
Stacking & Storage Cover (1 pc)30268988
Printer, Impact, SF40A, AM30064203
Auxiliary Display Kit30269019
Security Device80850043
Top Loading Kit for Density Determination30269020
Carrying Case30269021
In-use Cover30269022

OHAUS CORPORATION
 * 7 Campus Drive
 Suite 310
 Parsippany, NJ 07054 USA
 Tel: 800.672.7722
 973.377.9000
 Fax: 973.944.7177
www.ohaus.com

*With offices throughout
 Europe, Asia and
 Latin America*

***ISO 9001:2008**
 Registered Quality
 Management System

